



AquaMax Eco Expert 6800 / 11500

**Operating instructions
Notice d'emploi
Instrucciones de uso**





WARNING

- This unit can be used by children aged 8 and above and by persons with reduced physical, sensory or mental capabilities or lack of experience and knowledge if they are supervised or have been instructed on how to use the unit in a safe way and they understand the hazards involved.
- Do not allow children to play with the unit.
- Only allow children to carry out cleaning and user maintenance under supervision.
- Ensure that the unit is fused for a rated fault current of max. 30 mA by means of a fault current protection device.
- Only connect the unit if the electrical data of the unit and the power supply correspond. The unit data is to be found on the unit type plate, on the packaging or in this manual.
- Possible death or severe injury from electrocution! Before reaching into the water, always disconnect all units in the water that have a voltage of >12 V AC or >30 V DC from the power supply.
- Only operate the unit if no persons are in the water.
- A damaged connection cable cannot be replaced. Dispose of the unit.

Safety information

Electrical connection

- Electrical installations must meet the national regulations and may only be carried out by a qualified electrician.
- A person is regarded as a qualified electrician if, due to his/her vocational education, knowledge and experience, he or she is capable of and authorised to judge and carry out the work commissioned to him/her. This also includes the recognition of possible hazards and the adherence to the pertinent regional and national standards, rules and regulations.
- For your own safety, please consult a qualified electrician.
- The device may only be connected if the electrical data of the device and the power supply coincide. The device data is to be found on the device type plate, on the packaging or in this manual.
- Extension cables and power distributors (e.g. outlet strips) must be suitable for outdoor use (splash-proof).
- Protect open plugs and sockets from moisture.

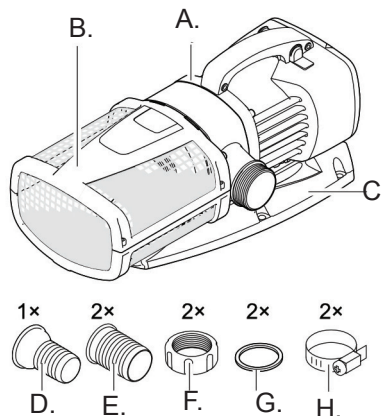
Safe operation

- The impeller unit in the pump contains a magnet with a strong magnetic field that may affect the operation of pace-makers or implantable cardioverter defibrillators (ICDs). Always keep magnets at least 0.2 m away from implanted devices.
- Never operate the unit if an electrical cable is defective!
- Never operate the unit if the housing is defective!
- Never carry or pull the unit by the electrical cable.
- Never carry out technical changes to the unit.
- Only carry out work on the unit that is described in this manual. If problems cannot be overcome, please contact an authorised customer service point or, if in doubt, the manufacturer.
- Route cables such that they are protected from damage and do not present a tripping hazard.
- Only use original spare parts and accessories for the unit.
- Only open the unit housing or its attendant components if this is explicitly specified in the operating instructions.

REMINDER

CALL 1-866-627-3435
BEFORE RETURNING TO STORE.

Part	Description	QTY
A	Filter pump	1
B	Filter housing	1
C	Stand	1
D	1½" (38 mm) hose connector	1
E	2" (50 mm) hose connector	2
F	Union nut for fastening the hose connector	2
G	Flat seal for the hose connector	2
H	Hose clamp	2



Information about these operating instructions

Welcome to OASE Living Water. You made a great choice with the purchase of this product AquaMax Eco Expert 6800 / 11500. Prior to operating the unit, please read the instructions of use carefully and fully familiarize yourself with the unit. Ensure that all work on and with this unit is only carried out in accordance with these instructions. Please strictly follow the enclosed instructions to ensure safe and correct handling of the product. Keep these instructions in a safe place. Please also hand over the instructions when passing the unit on to a new owner.

! WARNINGS AND CAUTIONS SYMBOLS

Symbols used in these instructions

The symbols used in this operating manual have the following meanings:

! WARNING
Indicates a possibly hazardous situation. Non-observance may lead to death or serious injuries.

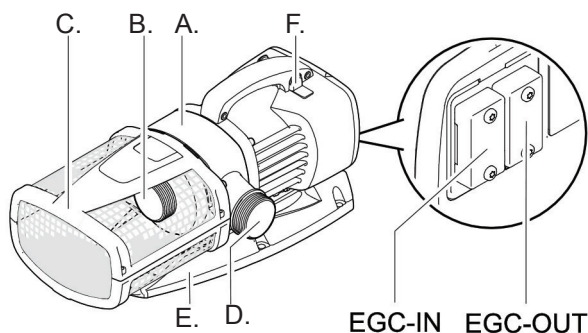
i NOTE
Information for the purpose of clarification or for preventing possible damage to assets or to the environment.

Questions, problems, missing parts?

Before returning to your retailer, call us at 1-866-627-3435, 8 a.m.-6 p.m., EST, Monday-Friday, or email us at customer-care@oase-livingwater.com. Or visit our website at www.oase-livingwater.com

PRODUCT DESCRIPTION

Part	Description	QTY
A	Pump casing - The position of the outlet can be changed by fitting the pump casing rotated through 90°.	1
B	Inlet (suction socket)	1
C	Filter housing	1
D	Outlet (pressure socket)	1
E	Stand - Ensures secure and stable positioning of the pump. - Can be firmly bolted to the ground.	1
F	Switch for switching on/off the SFC function (Seasonal Flow Control)	1
EGC IN/OUT	EGC connection - Connection for Eco Control or for integration into an EGC-network (optional). Important: Moisture at the connections can damage the pump. - Only remove the protection caps for connecting the Connection Cable EGC lines or terminal resistor. - Ensure that the rubber seals are clean and fit exactly. - Replace damaged rubber seals.	1



Easy Garden Control System (EGC)

This product can communicate with the Easy Garden Control-System (EGC). EGC allows convenient control in the garden and pond via smartphone or tablet, and ensures maximum convenience and reliability. Information about EGC and the possibilities it offers can be found at www.oase-livingwater.com

Seasonal Flow Control (SFC)

With the SFC function activated, the pump automatically optimises and reduces the amount of water and the delivery head by up to 50%. Thanks to the SFC function the pump adapts to the individual pond ecology throughout the year and supports the pond biology through temperature-dependent circulation (winter mode, transition mode and summer mode). The SFC function is switched on and off at the pump. The SFC function reduces the power consumption of the pump; without SFC, the pump permanently operates at maximum throughput. The seasonal flow control does not function when the pump is installed on land (dry installation). If a skimmer, satellite filter or OASE InScenio control unit is used, we recommend deactivating the SFC depending on the unit.

Intended use

AquaMax Eco Expert 6800 / 11500, referred to in the following as "unit", may only be used as specified in the following:

- For pumping normal pond water for filters, waterfalls and water courses.
- Operate in accordance with instructions.
- Operation under observance of the permissible water quality. (See Water quality)

The following restrictions apply to the unit:

- Do not use in swimming ponds.
- Never use the unit to convey fluids other than water.
- Never run the unit without water.
- Do not use for commercial or industrial purposes.
- Do not use in conjunction with chemicals, foodstuff, easily flammable or explosive substances.
- Do not connect to the domestic water supply.

Use other than that intended

This unit can be dangerous and cause harm if not used in accordance with these instructions. Any use not in accordance with these instructions or modification(s) to the unit will void the limited warranty.

Installation and connection



WARNING! Hazardous electrical voltage!

Possible consequences: Death or serious injuries.

Protective measures:

- Prior to reaching into the water, isolate (switch off and disconnect) all units/devices used in the water.
- Isolate the device (disconnect from the power supply) before carrying out any work on it.



WARNING!

Death or serious injuries from hazardous electrical voltage due to operation of this unit in a swimming pond

- Never operate this unit in a swimming pond.



NOTE

If the pump is used for conveying excessively soiled water, the impeller unit will be subject to increased wear and will require earlier replacement.

Remedy:

- Thoroughly clean the pond or pool before installing the pump.
- **Install the pump approx. 8 in. above the floor of the pond to avoid excessively soiled water from being drawn into the pump.**

- The unit is either submerged or set up in a dry location.
- The use of the pump is only permitted with observance of the specified water quality. (See **Water quality**)
- Pool water or salt water can impair the appearance of the unit. Such impairments are excluded from the guarantee.

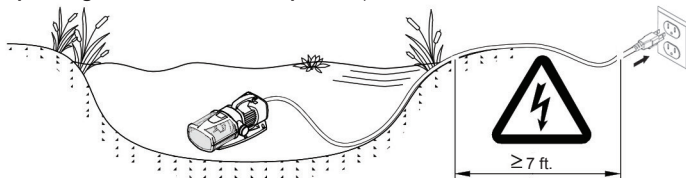
Questions, problems, missing parts?

Before returning to your retailer, call us at 1-866-627-3435, 8 a.m.-6 p.m., EST, Monday-Friday, or email us at customer-care@oase-livingwater.com. Or visit our website at www.oase-livingwater.com

Installation and connection

Submerged installation of the pump

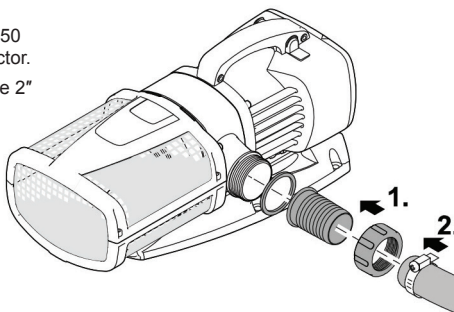
- Never operate the pump in a swimming pond.
 - Only operate the pump when it is below the water surface level.
 - Only operate the pump with the filter basket fitted.
 - Ensure that the pump is in a secure and stable position.
 - The position of the pump outlet can be changed. The pump casing has to be turned to achieve a different position.
- (See **Turning the pump casing to achieve a different position**)



Connecting the hose for submerged installation

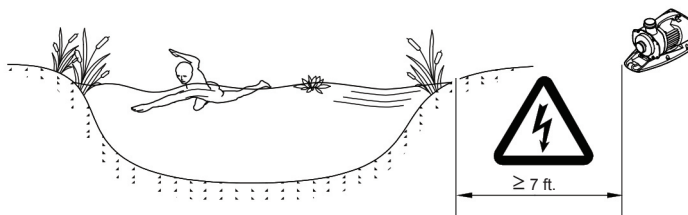
- AquaMax Eco Expert 6800: On the outlet, use the 2" (50 mm) hose connector or the 1½" (38 mm) hose connector.
- AquaMax Eco Expert 11500: On the outlet only use the 2" (50 mm) hose connector, if at all possible.

1. Screw the stepped hose adapter including union nut and sealing ring to the outlet.
2. Slip the hose clip over the hose, fit the hose onto the hose connector and secure with the hose clip.



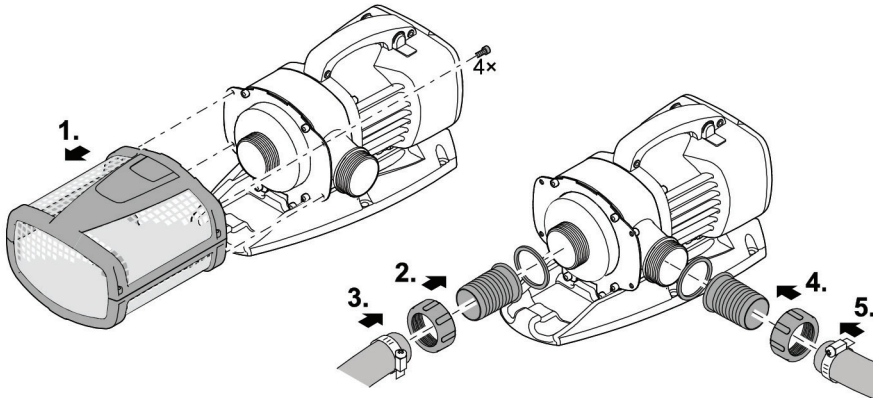
Dry installation of the pump (Install the unit at a dry place)

- AquaMax Eco Expert 6800: Hoses or pipes can be connected at the inlet and outlet. Recommendation:
 - Up to 16 ft. length: Use 2" (50 mm) hose connectors and hoses. (See **Connecting the hose**)
 - From 16 ft. length: Use DN 75 (2.5") or DN 100 (3") pipes. (See **Connecting the pipe**)
- AquaMax Eco Expert 11500: A DN75/100 pipe is connected to the inlet. A hose or a pipe can be connected to the outlet. Recommendation:
 - Up to 16 ft. length: Use 2" (50 mm) hose connectors and hoses. (See **Connecting the hose**)
 - From 16 ft. length: Use DN 75 (2.5") or DN 100 (3") pipes. (See **Connecting the pipe**)
- Swimming pond or pool that may be accessed by people.
 - Install the unit at least 7 ft. away from the water.
- Do not expose the unit to direct sunlight.
- Ensure that the pump is in a secure and stable position.
- The position of the pump outlet can be changed. The pump casing has to be turned to achieve a different position. (See **Turning the pump casing to achieve a different position**)
- Adhere to the maximum permissible ambient temperature. Ensure forced cooling if necessary. (See **Technical data**)

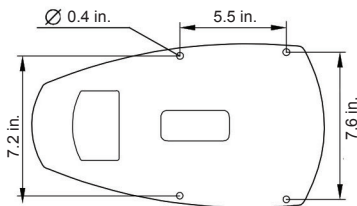


Connecting the hose for dry installation

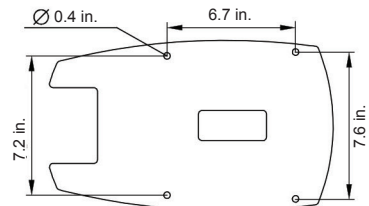
1. Remove the screws for fastening the filter basket and remove the filter basket.
2. Screw the hose connector with union nut and seal onto the inlet.
3. Slip the hose clip over the hose, fit the hose onto the hose connector and secure with the hose clip.
4. Screw the hose connector with union nut and seal onto the outlet.
5. Slip the hose clip over the hose, fit the hose onto the hose connector and secure with the hose clip.
6. Fasten the pump to a suitable base using screws (not included in the scope of delivery).



6. AquaMax Eco Expert 7300



AquaMax Eco Expert 11500



Connecting the pipe for dry installation

AquaMax Eco Expert 6800/11500: To connect the pipes, one PVC transition sleeve each is required. PVC transition sleeves are available in specialised shops.

1. Screw the PVC transition sleeve and seal onto the outlet.
2. Attach the PVC transition sleeve to the pipe.

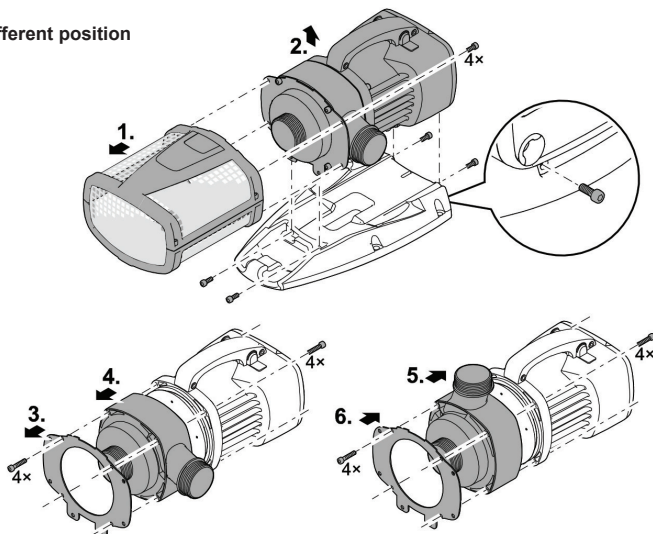
Questions, problems, missing parts?

Before returning to your retailer, call us at 1-866-627-3435, 8 a.m.-6 p.m., EST, Monday-Friday, or email us at customer-care@oase-livingwater.com. Or visit our website at www.oase-livingwater.com

Installation and connection

Turning the pump casing to achieve a different position

1. Remove the screws for fastening the filter basket and remove the filter basket.
2. Remove the screws for fastening the stand and remove the stand
3. Remove the four screws for fastening the retaining plate and remove the retaining plate.
4. Remove the four screws and take off the pump casing
5. Turn the pump casing, place it onto the motor and fasten with the four screws.
6. Fit the retaining plate onto the pump casing and fasten with the four screws
7. Fit the stand and filter basket in the reverse order.

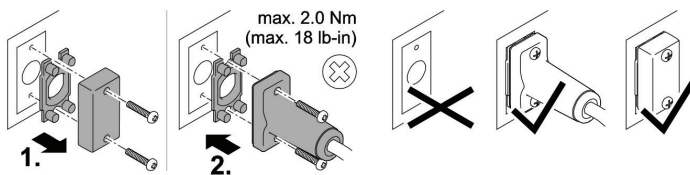


Connecting to Eco Control

As an option, Eco Control can be connected to the pump to control it.

- The control unit Eco Control is available as an accessory for Eco Expert pumps.
- If the pump is integrated in an EGC network, connecting Eco Control is not possible.

1. Remove the protection cap from EGC-IN.
2. Fit the plug connector of the cable and secure with the two screws (max. 2.0 Nm) (max. 18 lb-in).
 - Ensure that the rubber seal is clean and fits exactly.
 - Replace the rubber seal if damaged.

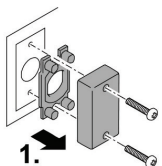


Integrating the pump in the EGC network

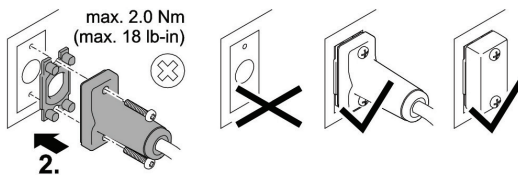
The pump can be integrated in an EGC network. The InScenio EGC and all EGC compatible units are connected with each other via Connection Cable EGC in an EGC network. A terminal resistor has to be fitted to the EGC-OUT of the last EGC compatible unit in order to terminate the network.

- The EGC connection cable is available as an accessory
- Ensure the correct connection.(See **Easy Garden Control System (EGC)**).

1. Remove the protection cap from EGC-IN.

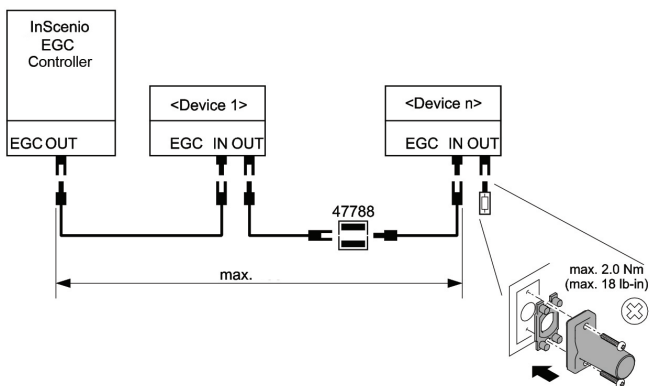


- Fit the plug connector of the EGC connection cable and secure with the two screws (max. 2.0 Nm) (max. 18 lb-in).
 - Ensure that the rubber seal is clean and fits exactly.
 - Replace the rubber seal if damaged.



- Remove the protection cap from EGC-OUT, fit the terminal resistor and secure it with the two screws (max. 2.0 Nm) (max. 18 lb-in) or another EGC compatible unit.
 - No Connection Cable EGC is connected to EGC-OUT on the last unit in the EGC network. The terminal resistor has to be fitted to this EGC-OUT so that the EGC network is correctly terminated.
 - The terminal resistor is included in the delivery scope of the InScenio EGC.

NOTE
The device will be destroyed if water penetrates the EGC sockets.
Close the EGC sockets with EGC plugs or a protection cap.



Commissioning/start-up

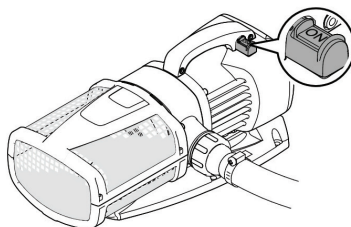
NOTE
Sensitive electrical components. Incorrect connection will destroy the unit.
Do not connect the unit to a dimmable power supply.

When started up, the pump automatically performs a pre-programmed self-test of approx. two minutes length (**Environmental Function Control (EFC)**). The pump detects if it is running dry / blocked or submerged. The pump switches off automatically after approx. 90 seconds if it runs dry (is blocked). In the event of a malfunction, disconnect the power supply and flood the pump or remove the obstacle. Following this, the unit can be restarted.

- Switching on:** Connect the unit to the mains. The unit switches on immediately.
- Switching off:** Disconnect the unit from the mains.

Seasonal Flow Control (SFC)

- Press and slide the switch.
 - ON is indicated on the switch. The function is activated.
 - ON is concealed on the switch. The function is deactivated.



Questions, problems, missing parts?

Before returning to your retailer, call us at 1-866-627-3435, 8 a.m.-6 p.m., EST, Monday-Friday, or email us at customer-care@oase-livingwater.com. Or visit our website at www.oase-livingwater.com

Maintenance and cleaning

⚠ Attention! Dangerous electrical voltage.
Possible consequences: Death or serious injuries.

Protective measures:

- Prior to reaching into the water, isolate (switch off and disconnect) all units/devices used in the water
- Isolate the device (disconnect from the power supply) before carrying out any work on it.

Cleaning the unit

i NOTE

Recommendation regarding cleaning:

- Clean the unit as required but at least twice a year.
- When cleaning the pump, pay particular attention to the cleaning of the impeller unit and pump housing.

• Do not use aggressive cleaning agents or chemical solutions as they could attack the housing or impair the function of the unit.

• Recommended cleaning agent for removing stubborn limescale deposits:

- Pump cleaning agent.
- Vinegar- and chlorine-free household cleaning agent.

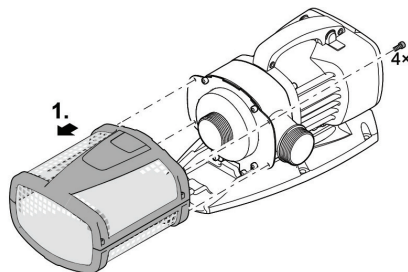
• After cleaning, thoroughly rinse all parts in clean water.

1. Remove the screws for fastening the filter basket and remove the filter basket.

2. Clean all parts.

- Use a soft brush.
- Rinse parts in clean water.

3. Reassemble the unit in the reverse order.



Replacing the impeller unit

i NOTE

The impeller unit is guided in the motor block by a bearing. This bearing is a wear part and should be changed at the same time as the impeller unit.

- Changing the bearing requires specialist knowledge and tools. Have the bearing changed by your OASE specialist dealer or send the pump to OASE.

i NOTE

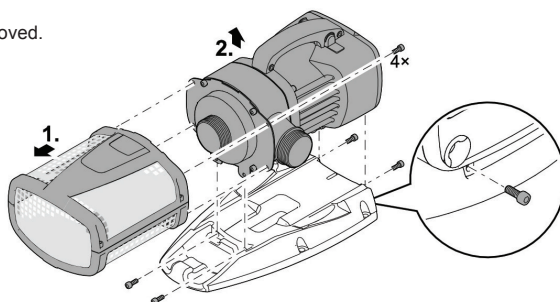
The impeller unit contains strong magnets that attract magnetic particles (e.g. iron filings)

- All particles must be removed from the impeller unit before reassembly. Any remaining particles can cause irreparable damage to the impeller unit and motor block.

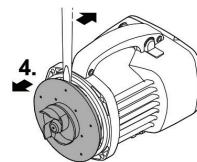
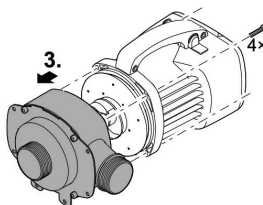
• The pipes/hoses at the inlet and outlet are removed.

1. Remove the screws for fastening the filter basket and remove the filter basket

2. Remove the screws for fastening the stand and remove the stand



3. Remove the four screws and take off the pump casing
4. Pull out the impeller unit and replace if necessary.
 - Use a wide-blade screwdriver to carefully lever out the impeller unit if necessary.
5. Reassemble the unit in the reverse order.



Storage/Winterization

The unit is frost resistant to minus -4°F (20 °C). Should you store the unit outside of the pond, clean it thoroughly with a soft brush and water, check it for damage, then store immersed in water or filled with water. Do not immerse the power plug in water!

Wear parts

- Impeller unit
- Bearing in the motor block

Repair

Repair is not possible in the following cases. The pump has to be replaced.

- If there is no replacement part approved by OASE for a defective component.
- If an electric cable permanently connected to the pump becomes damaged or is shortened.

Disposal



Do not dispose of this unit with domestic waste! Disable the unit beforehand by cutting off the cables. Further information about the recycling of this product can be obtained from your local municipal authority.

Spare parts

The use of original parts from OASE ensures continued safe and reliable operation of the unit. Please visit our website for spare parts drawings and spare parts. www.oase-livingwater.com

Questions, problems, missing parts?

Before returning to your retailer, call us at 1-866-627-3435, 8 a.m.-6 p.m., EST, Monday-Friday, or email us at customer-care@oase-livingwater.com. Or visit our website at www.oase-livingwater.com

Troubleshooting

Issue	Cause	Solution
Pump does not start	No mains voltage	<ul style="list-style-type: none"> - Check the mains voltage - Check supply lines
Pump does not deliver	Filter housing clogged	Clean
	Excessively soiled water	Clean pump. The pump automatically switches on again once the motor has cooled down.
	Impeller unit blocked	Disconnect the power supply and remove obstacle. Then switch the pump on again.
Insufficient delivered quantity	Filter housing clogged	Clean
	Excessive loss in the supply lines	<ul style="list-style-type: none"> - Select larger hose diameter - Reduce hose length to reduce frictional loss - Avoid unnecessary connection elements
Pump switches off after a short running period	Excessively soiled water	Clean pump. The pump automatically switches on again once the motor has cooled down.
	Water temperature too high	Note maximum water temperature of +35°C. The pump automatically switches on again once the motor has cooled down.
	Impeller unit blocked	Disconnect the power supply and remove obstacle. Then switch the pump on again.
	Pump has run dry.	Flood pump. Fully submerge the unit when operated in the pond.



AVERTISSEMENT

- Attention : Dans le cas où cet appareil serait utilisé par des mineurs de moins de 8 ans ainsi que par des personnes souffrant d'un handicap mental ou plus généralement par des personnes manquant d'expérience, un adulte averti devra être présent, qui renseignera le mineur ou la personne fragilisée concernée sur le bon emploi de ce matériel. Les enfants ne doivent pas jouer avec cet appareil. Ne pas laisser un enfant sans surveillance pour le nettoyage ou l'entretien.
- Veiller à ce que l'appareil soit absolument protégé par fusible par le biais d'une protection différentielle avec un courant assigné de 30 mA maximum.
- Ne brancher l'appareil que lorsque les caractéristiques électriques de l'appareil et de l'alimentation électrique correspondent. Les caractéristiques de l'appareil sont indiquées sur la plaque signalétique de l'appareil, sur l'emballage ou dans cette notice d'emploi.
- La mort ou des blessures graves par choc électrique sont possibles ! Avant de mettre les mains dans l'eau, débranchez les appareils dans l'eau d'une tension >12 V CA ou >30 V CC.
- Utiliser l'appareil uniquement lorsque personne ne se trouve dans l'eau.
- Un câble de raccordement endommagé ne peut pas être remplacé. Mettre l'appareil au rebut.

Consignes de sécurité

Raccordement électrique

- Les installations électriques doivent répondre aux règlements d'installation nationaux et leur exécution est exclusivement réservée à un technicien électricien.
- Une personne est considérée comme technicien électricien lorsqu'elle est capable et habilitée à apprécier et réaliser les travaux qui lui sont confiés en raison de sa formation technique, de ses connaissances et de son expérience. Travailler en tant que technicien consiste également à identifier d'éventuels dangers et à respecter les normes régionales et nationales, les règlements et les dispositions en vigueur qui se rapportent aux tâches à exécuter.
- En cas de questions et de problèmes, prière de vous adresser à un technicien électricien.
- Le raccordement de l'appareil est autorisé uniquement lorsque les caractéristiques électriques de l'appareil et de l'alimentation électrique correspondent. Les caractéristiques de l'appareil sont indiquées sur la plaque signalétique de l'appareil, sur l'emballage ou dans cette notice d'emploi.
- Les câbles de rallonge et le distributeur de courant (p. ex. blocs multiprises) doivent être conçus pour une utilisation en extérieur (protégé contre les projections d'eau).
- Protéger les prises ouvertes et les prises femelles de l'humidité.

Exploitation sécurisée

- L'unité de fonctionnement dans l'appareil contient un aimant à champ magnétique puissant qui risque d'avoir un impact sur les stimulateurs cardiaques ou les défibrillateurs implantés (ICD). Maintenir une distance d'au moins 0,2 m entre l'implant et l'aimant.
- Il est interdit d'utiliser l'appareil si le câble électrique est défectueux.
- Ne pas utiliser l'appareil avec un boîtier défectueux.
- Ne pas porter ou tirer l'appareil par les câbles électriques.
- Ne jamais procéder à des modifications techniques sur l'appareil.
- Exécuter des travaux sur l'appareil uniquement si ces derniers sont décrits dans la notice d'emploi. S'il est impossible de remédier aux problèmes, contacter le SAV agréé ou en cas de doute le constructeur.

Questions, problèmes, pièces manquantes ?

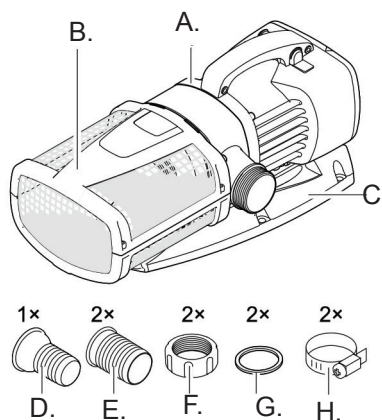
Avant de retourner chez votre détaillant, appelez au 1 866 627-3435, entre 8 h et 18 h, heure de l'Est, ou encore envoyez-nous un courriel à l'adresse customer-care@oase-livingwater.com. Vous pouvez aussi consulter notre site web au www.oase-livingwater.com

- Poser les câbles de manière à ce qu'ils soient protégés contre d'éventuels endommagements et veiller à ce que personne ne puisse trébucher.
- N'utiliser que des pièces de rechange et des accessoires d'origine pour l'appareil.
- N'ouvrir le boîtier de l'appareil ou des éléments s'y rapportant que si cela est expressément sollicité dans la notice d'emploi.

RAPPEL

APPELEZ LE 1-866-627-3435
AVANT DE RETOURNER AU MAGASIN.

Pièce	Description	Quant.
A	Pompe filtrante	1
B	Corps de filtre	1
C	Pied de l'appareil	1
D	Embout à olive 38 mm pour raccord de tuyau	1
E	Embout à olive 50 mm pour raccord de tuyau	2
F	Ecrou-raccord pour la fixation de l'embout à olive	2
G	Joint plat pour embout à olive	2
H	Collier de serrage pour tuyau	2



Informations sur le mode d'emploi

Bienvenue à OASE Living Water. L'achat de votre AquaMax Eco Expert 6800 / 11500 constitue un excellent choix. Avant d'utiliser la pompe, lisez les instructions attentivement et familiarisez-vous parfaitement avec l'appareil. Assurez-vous que tout travail effectué sur cet appareil et toute utilisation est conforme aux instructions qui suivent. Suivez ces instructions à la lettre afin de vous assurer d'une maintenance de l'appareil adéquate et sans risque. Conservez ces instructions dans un endroit sûr et remettez-les au nouveau propriétaire si vous transmettez l'appareil.

! PICTOGRAMMES DE PRÉCAUTIONS ET MISES EN GARDE

Pictogrammes utilisés dans ces instructions

Les pictogrammes utilisés dans ce manuel d'utilisation ont les significations suivantes :

! AVERTISSEMENT

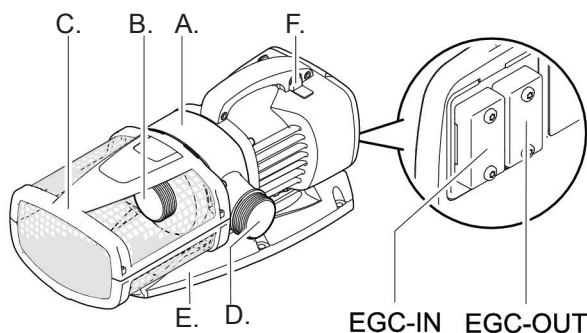
Signale une situation éventuellement dangereuse. Le non-respect risque d'entraîner la mort ou des blessures graves.

i REMARQUE

Informations permettant d'assurer une meilleure compréhension et d'éviter des dommages matériels ou environnementaux.

Description du produit

Pièce	Description
A	Corps de pompe
B	Sortie (tuyau de refoulement)
C	Entrée (tubulure d'aspiration)
D	Pied de l'appareil
E	Stand <ul style="list-style-type: none"> • Assure la bonne stabilité de la pompe • Raccord vissé fixe possible au fond.
F	Interrupteur pour activer/désactiver la fonction SFC fonction (Seasonal Flow Control)
EGC IN/OUT	Raccordement EGC - Raccordement pour Eco Control ou pour l'intégration dans un réseau EGC (option). Important : De l'humidité sur les raccords risque d'endommager la pompe. <ul style="list-style-type: none"> - Retirer les capuchons de protection uniquement lors du raccordement de Connection Cable EGC ou de résistance finale. - Les joints en caoutchouc doivent être propres et parfaitement logés. - Remplacer les joints caoutchouc endommagés.



Système Easy Garden Control (EGC)

Ce produit peut communiquer avec Easy Garden Control-System (EGC). EGC offre permet de garder confortablement le contrôle dans le jardin et près de l'étang grâce à un smartphone ou une tablette et garantit confort et sécurité. Re- trouvez plus d'informations sur EGC et ses avantages sur www.oase-livingwater.com

Seasonal Flow Control (SFC)

Lorsque la fonction SFC est activée, la pompe optimise automatiquement la quantité d'eau et la hauteur de refoulement. La quantité d'eau et la hauteur de refoulement sont en l'occurrence réduites de jusqu'à 50 %. Le SFC permet à l'appareil de s'adapter durant toute l'année à l'écologie de bassin/plan d'eau correspondante et d'assister le système biologique aquatique par le biais d'une circulation d'eau liée à la température (mode hivernal, mode mi-saison et mode d'été). La fonction SFC s'active et se désactive sur la pompe. SFC permet la réduction de la consommation de la pompe, sans SFC la pompe tourne en permanence à régime maximal. SFC ne fonctionne pas en installation à sec. Lors de l'utilisation d'un skimmer, d'un filtre satellite ou d'un appareil de régulation InScenio OASE, il peut être recommandable, en fonction de l'installation, de désactiver la fonction SFC.

Questions, problèmes, pièces manquantes ?

Avant de retourner chez votre détaillant, appelez au 1 866 627-3435, entre 8 h et 18 h, heure de l'Est, ou encore envoyez-nous un courriel à l'adresse customer-care@oase-livingwater.com. Vous pouvez aussi consulter notre site web au www.oase-livingwater.com

Utilisation conforme à la finalité

AquaMax Eco Expert 6800 / 11500, appelé par la suite « appareil », doit être utilisé exclusivement comme suit :

- Pour le pompage d'eau normale d'étang pour filtres, cascades et cours d'eau.
- Exploitation dans le respect des données techniques.
- Exploitation dans le respect des valeurs d'eau admissibles. (→ valeurs de l'eau)

Les restrictions suivantes sont valables pour l'appareil :

- Ne pas utiliser dans des piscines naturelles.
- Ne jamais refouler des liquides autres que de l'eau.
- Ne jamais utiliser sans débit d'eau.
- Ne pas utiliser à des fins commerciales ou industrielles.
- Ne pas utiliser en relation avec des produits chimiques, des produits alimentaires, des matériaux facilement inflammables ou explosifs.
- A ne pas raccorder à l'alimentation en eau potable.

Utilisation non conforme

Cet appareil peut être dangereux et causer des dommages s'il n'est pas utilisé conformément aux instructions qui suivent. Toute utilisation non conforme à ces instructions ou toute modification à l'appareil annulera la garantie.

Mise en place et raccordement



AVERTISSEMENT !

Conséquences possibles : La mort ou des blessures graves dues à une tension électrique dangereuse !

Mesures de protection :

- Toujours couper l'alimentation électrique de tous les appareils se trouvant dans l'eau avant tout contact avec l'eau.
- Couper la tension secteur avant toute exécution de travaux sur l'appareil.



AVERTISSEMENT !

Risque mortel ou de blessures graves du fait de la tension électrique dangereuse de l'appareil s'il est utilisé dans un étang de baignade.

- Ne pas utiliser l'appareil dans un étang de baignade.



REMARQUE

Une eau très envasée peut provoquer l'usure plus rapide de l'unité de marche de la pompe et demander son remplacement prématuré.

Remède :

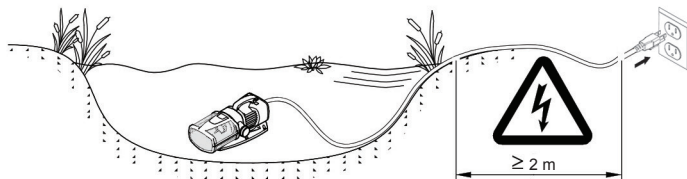
- Nettoyer minutieusement l'étang ou le bassin avant d'installer la pompe.
- **Installer la pompe à environ 200 mm au-dessus du fond de l'étang pour éviter l'aspiration d'eau envasée.**

- L'appareil est mis en place soit immergé soit à sec.
- L'utilisation de la pompe est autorisée uniquement dans le respect des valeurs d'eau admissibles. (→ valeurs de l'eau)
- L'eau de piscine ou l'eau de mer risquent de nuire à l'aspect de l'appareil. Ces altérations sont exclues de la garantie.

Mise en place et raccordement

Mise en place en immergé de l'appareil

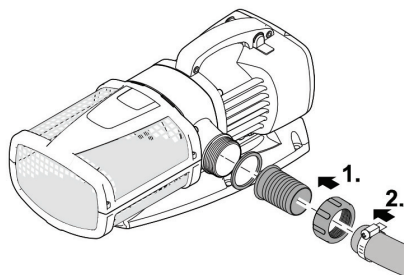
- Ne jamais exploiter l'appareil dans le bassin/l'étang.
- N'utiliser l'appareil qu'en dessous du niveau d'eau.
- N'utiliser l'appareil qu'avec le panier de filtration.
- Veiller à une assise stable.
- La position de la sortie de la pompe est variable. Pour changer la position, tourner le corps de la pompe. (→ Tourner le corps de la pompe)



Raccordement du tuyau pour installation immergée

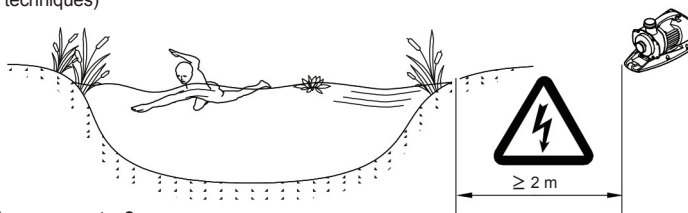
- AquaMax Eco Expert 6800 : Pour la sortie, utiliser l'embout à olive 50 mm ou l'embout à olive 38 mm.
- AquaMax Eco Expert 11500 : Pour la sortie, utiliser uniquement l'embout à olive 50 mm.

1. Visser l'embout à étages, avec écrou-raccord et joint, sur la sortie.
2. Glisser le collier de serrage sur le tuyau, enfiler le tuyau sur le raccord de tuyau et le fixer avec le collier de serrage.



Mise en place de l'appareil au sec

- AquaMax Eco Expert 6800 : Au niveau de l'arrivée et de la sortie, il est possible de raccorder des tuyaux flexibles ou des tuyaux rigides. Conseil :
 - Jusqu'à 5 m de longueur : utiliser des embouts à olive 50 mm (2") et des tuyaux flexibles. (→ Raccordement du tuyau)
 - A partir de 5 m de longueur : utiliser des tuyaux rigides DN 75 ou DN 100. (→ Raccorder un tuyau rigide)
- AquaMax Eco Expert 11500 : Au niveau de l'arrivée, raccorder un tuyau rigide DN75/100. Au niveau de la sortie, il est possible de raccorder un tuyau flexible ou un tuyau rigide. Conseil :
 - Jusqu'à 5 m de longueur : utiliser des embouts à olive 50 mm (2") et des tuyaux flexibles. (→ Raccordement du tuyau)
 - A partir de 5 m de longueur : utiliser des tuyaux rigides DN 75 ou DN 100. (→ Raccorder un tuyau rigide)
- Piscine naturelle ou piscine, dans laquelle des personnes peuvent se trouver.
 - Placer l'appareil à au moins 2 m de l'eau.
- Ne pas exposer directement l'appareil au rayonnement solaire.
- Veiller à une assise stable.
- La position de la sortie de la pompe est variable. Pour changer la position, tourner le corps de la pompe. (→ Tourner le corps de la pompe)
- Respecter la température ambiante maximale admissible. Le cas échéant, assurer un refroidissement forcé. (→Caractéristiques techniques)



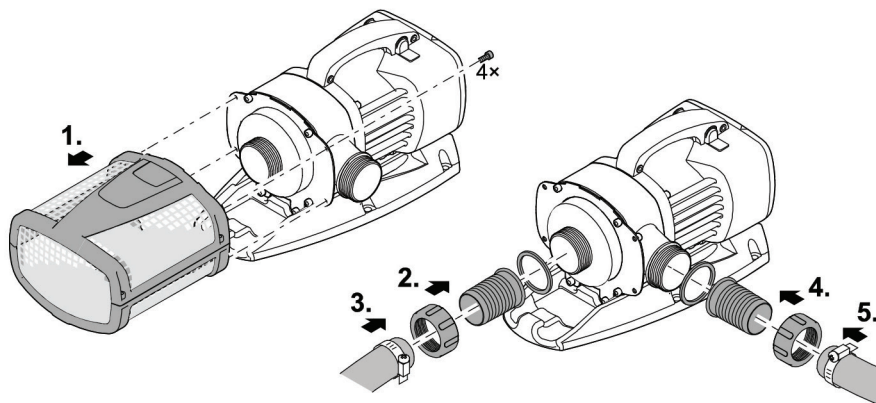
Questions, problèmes, pièces manquantes ?

Avant de retourner chez votre détaillant, appelez au 1 866 627-3435, entre 8 h et 18 h, heure de l'Est, ou encore envoyez-nous un courriel à l'adresse customer-care@oase-livingwater.com. Vous pouvez aussi consulter notre site web au www.oase-livingwater.com

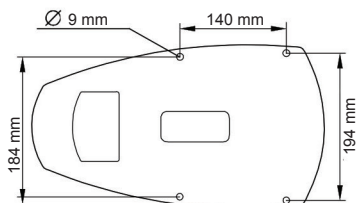
Mise en place et raccordement

Raccord de tuyau pour installation sec

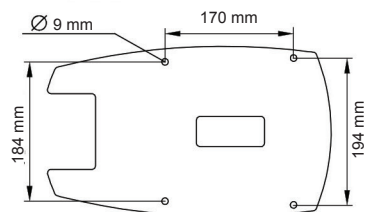
1. Enlever les vis de fixation du panier de filtration et l'enlever.
2. Visser l'embout à olive, écrou-raccord et joint compris, sur l'entrée.
3. Glisser le collier de serrage sur le tuyau, enfiler le tuyau sur le raccord de tuyau et le fixer avec le collier de serrage.
4. Visser l'embout à olive, écrou-raccord et joint compris, sur la sortie.
5. Glisser le collier de serrage sur le tuyau, enfiler le tuyau sur le raccord de tuyau et le fixer avec le collier de serrage.
6. Fixer l'appareil avec les vis (non fournies) sur un support approprié.



6. AquaMax Eco Expert 6800



AquaMax Eco Expert 11500



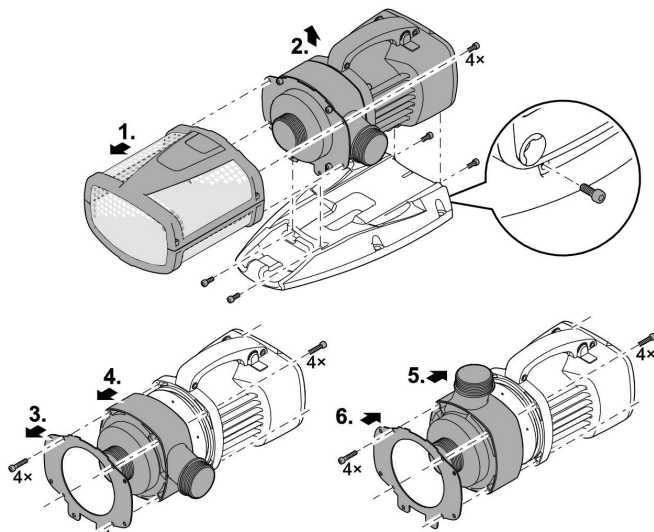
Raccorder un tuyau rigide pour installation sec

AquaMax Eco Expert 6800/11500 : Un manchon-raccord en PVC est nécessaire pour le raccordement des tuyaux rigides. Les manchons-raccords en PVC sont disponibles dans le commerce spécialisé

1. Mettre en place le manchon-raccord en PVC et le joint au niveau de la sortie.
2. Coller le tuyau rigide avec le manchon-raccord en PVC.

Tourner le corps de la pompe

1. Enlever les vis de fixation du panier de filtration et l'enlever.
2. Enlever les quatre vis de fixation du pied de l'appareil et l'enlever.
3. Enlever les quatre vis de fixation de la plaque de retenue et l'enlever.
4. Enlever les quatre vis et le corps de pompe.
5. Tourner le corps de pompe, le poser sur le moteur et le fixer au moyen des quatre vis.
6. Poser la plaque de retenue sur le corps de pompe et la fixer au moyen des quatre vis.
7. Remonter le pied de l'appareil et le panier de filtration en suivant l'ordre inverse.

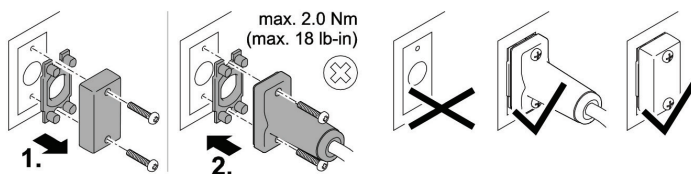


Se connecter à Eco Control

En option, il est possible de raccorder la pompe avec Eco Control pour des besoins de commande.

- L'appareil de commande Eco Control est disponible comme accessoire pour les pompes Eco Expert.
- Le raccordement de Eco Control n'est pas possible lorsque la pompe est connectée à un réseau EGC.

1. Enlever le capuchon de protection sur EGC-IN.
 2. Brancher le connecteur de la ligne et le sécuriser à l'aide des deux vis (max. 2.0 Nm).
- Le joint en caoutchouc doit être propre et parfaitement logé.
 - Remplacer tout joint en caoutchouc endommagé.

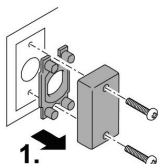


Intégrer la pompe dans un réseau EGC

La pompe peut être intégrée dans un réseau EGC. Dans un réseau EGC, les InScenio EGC et tous les appareils EGC sont connectés conjointement au moyen d'un Connection Cable EGC. Sur le dernier appareil EGC placer une résistance finale sur EGC-OUT afin de fermer le réseau.

- Le Connection Cable EGC est disponible comme accessoire
- Veiller à ce que le branchement soit correctement effectué. (→ Système Easy Garden Control (EGC))

1. Enlever le capuchon de protection sur EGC-IN.

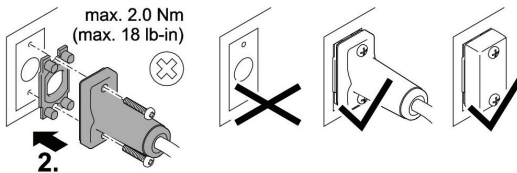


Questions, problèmes, pièces manquantes ?

Avant de retourner chez votre détaillant, appelez au 1 866 627-3435, entre 8 h et 18 h, heure de l'Est, ou encore envoyez-nous un courriel à l'adresse customer-care@oase-livingwater.com. Vous pouvez aussi consulter notre site web au www.oase-livingwater.com

2. Brancher le connecteur du Connection Cable EGC et le sécuriser à l'aide des deux vis (max. 2.0 Nm)

- Le joint en caoutchouc doit être propre et parfaitement logé.
- Remplacer tout joint en caoutchouc endommagé.



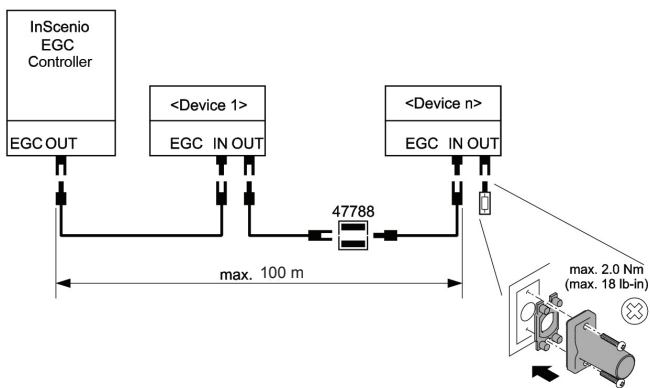
3. Retirer le capuchon de protection sur EGC-OUT, insérer une résistance finale et sécuriser à l'aide des deux vis (max. 2.0 Nm) ou raccorder encore un appareil EGC.

- Aucun Connection Cable EGC n'est branché au EGC-OUT du dernier appareil du réseau EGC. Une résistance finale doit être branchée sur ce EGC-OUT afin que le réseau EGC soit branché correctement.
- La résistance finale est livrée avec le InScenio EGC.

REMARQUE

L'appareil est détérioré lorsque de l'eau s'infiltré dans les prises EGC.

- Obturer les prises EGC avec des fiches mâles EGC ou un capuchon protecteur.



Mise en service

REMARQUE

Composants électriques fragiles. Un mauvais raccordement peut détruire l'appareil.

- Ne pas raccorder l'appareil à une alimentation en courant avec variateur.

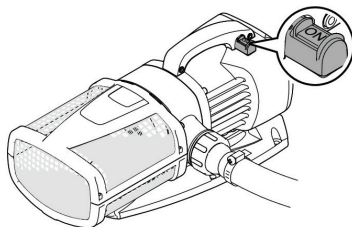
A sa mise en service, la pompe effectue automatiquement un auto-contrôle préprogrammé d'une durée d'environ 2 minutes (**Envi-ronmental Function Control (EFC)**). La pompe passe reconnaît si elle se trouve en marche à sec / à l'état bloqué ou immergé. En cas de marche à sec / de blocage, la pompe se met automatiquement hors circuit après env. 90 secondes. Lors d'un dérangement, couper l'alimentation électrique, "immerger la pompe" ou bien retirer l'obs- tacle. Vous pouvez ensuite remettre l'appareil en service

- **Allumer:** Brancher l'appareil sur la tension secteur. L'appareil se met immédiatement en marche.
- **Éteindre:** Débrancher l'appareil de la tension secteur.

Seasonal Flow Control (SFC)

1. Appuyer sur l'interrupteur et le pousser.

- ON peut lire ON sur l'interrupteur : la fonction est activée.
- ON est masqué sur l'interrupteur : la fonction est désactivée.



Nettoyage et entretien

⚠ AVERTISSEMENT !

Conséquences possibles : La mort ou des blessures graves dues à une tension électrique dangereuse !

Mesures de protection :

- Toujours couper l'alimentation électrique de tous les appareils se trouvant dans l'eau avant tout contact avec l'eau.
- Couper la tension secteur avant toute exécution de travaux sur l'appareil.

Nettoyage de l'appareil

i REMARQUE

Recommandations de nettoyage :

- Nettoyer l'appareil lorsque nécessaire, mais au moins 2 fois par an.
- Nettoyer en particulier l'unité de fonctionnement et le corps de la pompe.

• N'utiliser ni des produits de nettoyage agressifs, ni des solutions chimiques qui risqueraient d'attaquer le corps ou d'entraver le fonctionnement de l'appareil.

• Produits de nettoyage recommandés en cas d'entartrages tenaces :

- Nettoyant pour pompe
- Détergents ménagers exempts de vinaigre et de chlore.

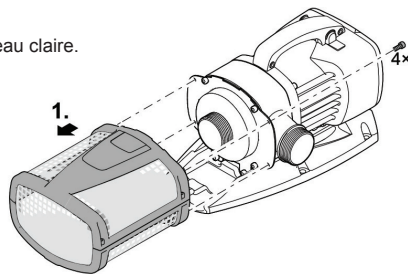
• Après le nettoyage, rincer méticuleusement toutes les pièces à l'eau claire.

1. Enlever les vis de fixation du panier de filtration et l'enlever.

2. Nettoyer toutes les pièces.

- Pour mieux nettoyer, utiliser une brosse douce.
- Rincer les pièces à l'eau claire.

3. Remonter l'appareil en suivant l'ordre inverse



Remplacer l'unité de fonctionnement

i REMARQUE

L'unité de fonctionnement est guidé dans le bloc moteur par un palier. Ce palier est une pièce d'usure et doit être remplacé en même temps que l'unité de fonctionnement.

- Le remplacement du palier demande des connaissances et des outils spéciaux. Confier le remplacement du palier à votre distributeur spécialisé OASE ou envoyer la pompe à OASE.

i REMARQUE

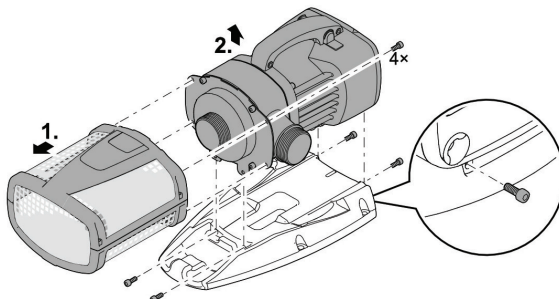
L'unité de fonctionnement contient un puissant aimant qui attire les particules magnétiques (p. ex. les copeaux de fer).

- Lors du montage, éliminer toutes traces de particules adhérentes. Les particules qui restent risquent d'être à l'origine de dommages irréparables sur l'unité de fonctionnement et le bloc moteur.

• Les tuyaux rigides/tuyaux flexibles à l'arrivée et à la sortie sont démontés.

1. Enlever les vis de fixation du panier de filtration et l'enlever.

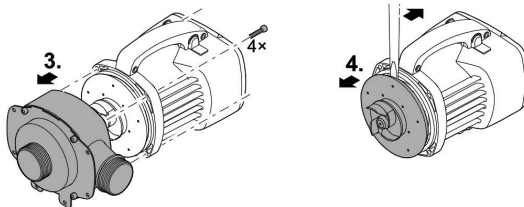
2. Enlever les quatre vis de fixation du pied de l'appareil et l'enlever



Questions, problèmes, pièces manquantes ?

Avant de retourner chez votre détaillant, appelez au 1 866 627-3435, entre 8 h et 18 h, heure de l'Est, ou encore envoyez-nous un courriel à l'adresse customer-care@oase-livingwater.com. Vous pouvez aussi consulter notre site web au www.oase-livingwater.com

3. Enlever les quatre vis et le corps de pompe.
4. Sortir l'unité de fonctionnement et si besoin, la remplacer.
 - Dans ce cas, utiliser un tournevis à large lame pour soulever l'unité de fonctionnement pour la sortir.
5. Remonter l'appareil en suivant l'ordre inverse.



Stockage / entreposage pour l'hiver

L'appareil résiste à des températures allant jusqu'à moins 20 °C. Si vous stockez l'appareil en dehors de la pièce d'eau, en effectuer un nettoyage approfondi avec une brosse douce et de l'eau, contrôler la présence éventuelle de dommages et le conserver immergé dans de l'eau. Ne pas immerger la prise de secteur !

Pièces d'usure

- Unité de fonctionnement
- Palier dans le bloc moteur

Réparation

Ci-après, les événements qui rendent toute réparation impossible. L'appareil doit être remplacé.

- Pour un composant défectueux, il n'y a pas de pièce de rechange homologuée par OASE.
- Une ligne de liaison électrique fixée à l'appareil est endommagée ou raccourcie.

Recyclage



Ne jetez pas cet appareil avec les déchets domestiques ! Désactivez préalablement l'appareil en coupant les câbles. Vous pouvez obtenir plus d'informations sur le recyclage de ce produit auprès des autorités municipales.

Pièces de rechange

L'appareil continue de fonctionner de manière fiable et sécurisée avec des pièces originales d'OASE.

Vous trouverez nos pièces de rechange et leurs schémas sur notre site internet. www.oase-livingwater.com

Dépannage

Dérangement	Cause	Remède
La pompe ne démarre pas	La tension secteur manque	<ul style="list-style-type: none"> - Vérifier la tension secteur - Contrôler les lignes d'alimentation
Pump does not deliver	Corps de filtre colmaté	Le nettoyer
	La pollution de l'eau est excessive	Nettoyer la pompe Après le refroidissement du moteur la pompe se remet auto-matiquement en service.
	L'unité de fonctionnement est bloquée	Débrancher la fiche de secteur et enlever l'obstacle. Remettre ensuite la pompe en circuit.
Débit de la pompe insuffisant	Corps de filtre colmaté	Le nettoyer
	Il y a des pertes trop importantes dans les conduites d'amenée	<ul style="list-style-type: none"> - Sélectionner un diamètre de tuyau plus grand - Réduire la longueur du tuyau au minimum requis - Eviter les pièces de raccordement inutiles
La pompe s'arrête après une courte période de marche	La pollution de l'eau est excessive	Nettoyer la pompe Après le refroidissement du moteur la pompe se remet automatiquement en service.
	Température d'eau excessive	Maintenir la température maximale de l'eau de + 35 °C. Après le refroidissement du moteur la pompe se remet automatiquement en service.
	L'unité de fonctionnement est bloquée	Débrancher la fiche de secteur et enlever l'obstacle. Remettre ensuite la pompe en circuit.
	La pompe a marché à sec	Immerger la pompe, Pour le fonctionnement dans le bassin/l'étang, immerger complètement l'appareil.

Questions, problèmes, pièces manquantes ?

Avant de retourner chez votre détaillant, appelez au 1 866 627-3435, entre 8 h et 18 h, heure de l'Est, ou encore envoyez-nous un courriel à l'adresse customercare@oase-livingwater.com. Vous pouvez aussi consulter notre site web au www.oase-livingwater.com



ADVERTENCIA

- Este equipo puede ser utilizado por niños a partir de 8 años y mayores así como por personas con capacidades físicas, sensoriales mentales reducidas que no dispongan de la experiencia y conocimientos necesarios, cuando sean supervisados o hayan sido instruidos en el uso seguro del equipo y los posibles peligros resultantes.
- Los niños no deben jugar con el equipo.
- Está prohibido que los niños ejecuten la limpieza y el mantenimiento sin supervisión.
- El equipo tiene que estar protegido con un dispositivo de protección contra corriente de fuga máxima de 30 mA.
- Conecte el equipo sólo cuando los datos eléctricos del equipo coinciden con los datos de la alimentación de corriente. Los datos del equipo se encuentran en la placa de datos técnicos en el equipo, en el embalaje o en estas instrucciones.
- Son posibles la muerte o lesiones graves por choque eléctrico. Antes de tocar el agua, separe de la red de corriente los equipos con una tensión >12 V CA o >30 V CC que se encuentran en el agua.
- Opere el equipo sólo cuando no se encuentren personas en el agua.
- La línea de conexión dañada no se pueden sustituir. Deseche el equipo.

Indicaciones de seguridad

Conexión eléctrica

- Las instalaciones eléctricas deben cumplir las prescripciones de montaje nacionales y se deben realizar sólo por un electricista calificado.
- Una persona es un electricista calificado cuando por su formación, conocimientos y experiencias profesionales es capaz y está autorizada a valorar y ejecutar los trabajos encargados. Los trabajos como personal técnico también incluyen el reconocimiento de los posibles peligros y el cumplimiento de las correspondientes normas, prescripciones y disposiciones regionales y nacionales.
- En caso de preguntas y problemas diríjase a personal electricista especializado.
- Sólo está permitido conectar el equipo cuando los datos eléctricos del equipo coincidan con la alimentación de corriente. Los datos del equipo se encuentran en la placa de datos técnicos en el equipo, en el embalaje o en estas instrucciones.
- Las líneas de prolongación y distribuidores de corriente (p. ej. enchufes múltiples) deben ser apropiados para el empleo a la intemperie (protegido contra salpicaduras de agua).
- Proteja las clavijas y los manguitos abiertos de la humedad.

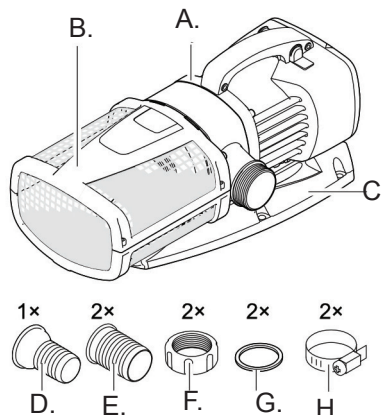
Funcionamiento seguro

- La unidad de rodadura en el equipo incluye un imán con un fuerte campo magnético que puede influir en marcapasos desfibriladores implantados (ICD). Mantenga una distancia mínima de 0,2m entre el implante y el imán.
- Está prohibido operar el equipo si la línea eléctrica está defectuosa.
- Está prohibido operar el equipo si la caja está defectuosa.
- No transporte ni tire el equipo por la línea eléctrica.
- No realice nunca modificaciones técnicas en el equipo.
- Ejecute en el equipo sólo los trabajos descritos en estas instrucciones. Si no es posible eliminar determinados problemas diríjase a una oficina de atención a los clientes o en caso de dudas al fabricante.
- Tienda las líneas con protección contra daños y garantice que ninguna persona tropiece con ellas.
- Emplee para el equipo sólo piezas de recambio y accesorios originales.
- Abra la caja del equipo o las partes pertenecientes sólo si esto se requiere expresamente en estas instrucciones.

RECORDATORIO

LLAME AL 1-866-627-3435
ANTES DE REGRESAR A LA TIENDA.

Parte	Descripción	Cant.
A	Bomba de filtro	1
B	Carcasa del filtro	1
C	Pie del equipo	1
D	Boquilla de manguera 38 mm para conexión de la manguera	1
E	Boquilla de manguera 50 mm para conexión de la manguera	2
F	Tuerca racor para fijar la boquilla de manguera	2
G	Junta plana para la boquilla de manguera	2
H	Abrazadera de manguera	2



Información sobre estas instrucciones de operación

Bienvenido a Agua Viva de OASE. Hizo una excelente decisión al comprar este producto de AquaMax Eco Expert 6800 / 11500. Antes de poner la unidad en operación, por favor lea las instrucciones de uso cuidadosamente y completamente para conocer la unidad. Asegúrese que cualquier trabajo en y con esta unidad esté en concordancia con estas instrucciones. Por favor, sigue estrictamente las instrucciones incluidas para lograr manejo seguro y adecuado del producto. Mantenga estas instrucciones en un lugar seguro. Por favor, incluye las instrucciones al pasar la unidad a un dueño nuevo.

! SÍMBOLOS DE ADVERTENCIA Y PRECAUCIÓN

Símbolos utilizados en estas instrucciones

Los símbolos usados en este manual de operación tienen los siguientes significados:

! ADVERTENCIA

Denomina una situación posiblemente peligrosa. En caso de incumplimiento, la consecuencia puede ser la muerte o una lesión muy grave.

i INDICACIÓN

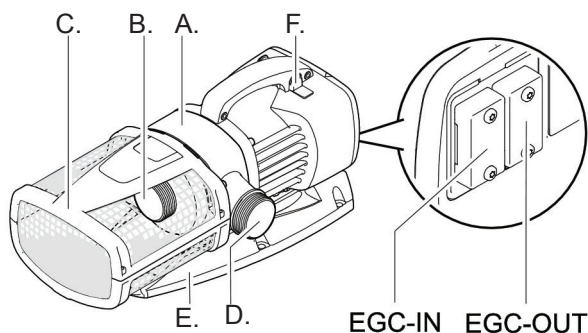
Informaciones que sirven para una mejor comprensión o la prevención de posibles daños materiales o medioambientales.

¿Preguntas, problemas, partes faltantes?

Antes de regresar con su vendedor, llame al 1-866-627-3435 de 8 am a 6 pm, hora del este, de lunes a viernes, o envíenos un correo electrónico a customercare@oase-livingwater.com. O visite nuestra página web www.oase-livingwater.com

Descripción del producto

Parte	Descripción
A	Carcasa de la bomba
B	Salida (tubuladura de presión)
C	Entrada (tubuladura de aspiración)
D	Carcasa del filtro
E	Pie del equipo <ul style="list-style-type: none"> • Garantiza una posición segura de la bomba. • Es posible una unión atornillada fija en la base.
F	Conmutador para conectar/ desconectar la función SFC (Seasonal Flow Control)
EGC IN/ OUT	<p>Conexión EGC - Conexión para el Eco Control o para la integración en una red EGC (opcional).</p> <p>Importante: Humedad en las conexiones puede dañar la bomba.</p> <ul style="list-style-type: none"> - Desmonte las tapas de protección sólo en caso de conexión de Connection Cable EGC o resistencia terminal. - Las juntas de goma tienen que estar limpias y encajar perfectamente. - Sustituya las juntas de goma dañadas.



Sistema de control Easy Garden (EGC)

Este producto puede comunicarse con el Easy Garden Control-System (EGC). EGC ofrece confortables posibilidades de control en el jardín y el estanque a través del teléfono inteligente o la tableta y garantiza un alto confort y seguridad. Consulte las informaciones sobre el EGC y las posibilidades en www.oase-livingwater.com

Seasonal Flow Control (SFC)

Si está conectada la función SFC, la bomba optimiza automáticamente la cantidad de agua y la altura de elevación. La cantidad de agua y la altura de elevación se reducen hasta un 50%. Mediante la función SFC, el equipo se adapta durante el año completo a la correspondiente ecología del estanque y apoya la biología del estanque gracias a la circulación del agua en dependencia de la temperatura (servicio de invierno, servicio de transición y servicio de verano). La función SFC se conecta y desconecta en la bomba. Con la función SFC disminuye el consumo de potencia de la bomba y sin la función SFC la bomba funciona permanentemente con el número de revoluciones máximo. La función SFC no funciona en el emplazamiento en seco. En caso que se emplee un skimmer, filtro satélite o equipo de control InScenio de OASE puede ser recomendable en dependencia de la instalación desconectar la función SFC.

Uso conforme a lo prescrito

AquaMax Eco Expert 6800 / 11500, denominado "equipo", se puede utilizar sólo de la forma siguiente:

- Como bomba de agua de estanque normal para filtros, cascadas e instalaciones de riachuelo.
- Operación observando los datos técnicos.
- Operación de acuerdo con los valores del agua recomendados. (→ Valores del agua)

Para el equipo son válidas las siguientes limitaciones:

- No emplee en piscinas.
- No transporte nunca otros líquidos que no sea el agua.
- No opere nunca sin circulación de agua.
- No emplee el equipo para fines industriales.
- No emplee el equipo en combinación con productos químicos, alimentos y sustancias fácilmente inflamables o explosivas.
- No conectar a la línea de alimentación de agua potable.

Uso diferente del uso previsto

Esta unidad puede ser peligrosa y causar daños si no se usa en concordancia con estas instrucciones. Cualquier uso que no esté en concordancia con estas instrucciones o modificaciones de la unidad anulará la garantía limitada

Emplazamiento y conexión



ADVERTENCIA! ¡Voltaje eléctrico peligroso!

Posibles consecuencias: La muerte o lesiones graves

Medidas de protección:

- Desconecte la tensión de alimentación de todos los equipos que se encuentran en el agua antes de tocar el agua.
- Antes de realizar trabajos en el equipo desconecte la tensión de alimentación.



ADVERTENCIA!

La muerte o graves lesiones por tensión eléctrica peligrosa durante el funcionamiento del equipo en un estanque.

- Nunca opere el equipo en un estanque para nadar.



INDICACIÓN

Es posible que la unidad de rodadura de la bomba se desgaste más temprano y se tenga que sustituir si la bomba transporta agua con mucho lodo.

Acción correctora:

- Limpie minuciosamente el estanque o la piscina antes del emplazamiento de la bomba.
- **Emplace la bomba unos 200 mm encima del fondo del estanque para evitar la aspiración del agua enlodada.**

- El equipo se puede emplazar bajo agua o en un lugar seco.
- La bomba sólo se puede emplear si se cumplen los valores del agua indicados. (→ Valores del agua)
- El agua de piscina o el agua salada pueden mermar la óptica del equipo. Estos menoscabos no están incluidos en la garantía.

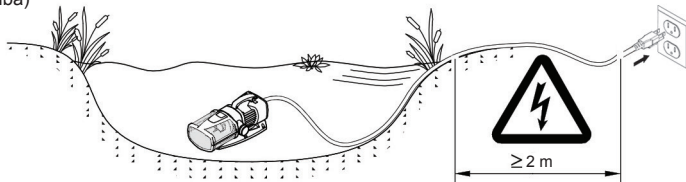
¿Preguntas, problemas, partes faltantes?

Antes de regresar con su vendedor, llame al 1-866-627-3435 de 8 am a 6 pm, hora del este, de lunes a viernes, o envíenos un correo electrónico a customercare@oase-livingwater.com. O visite nuestra página web www.oase-livingwater.com

Emplazamiento y conexión

Emplazamiento del equipo sumergido

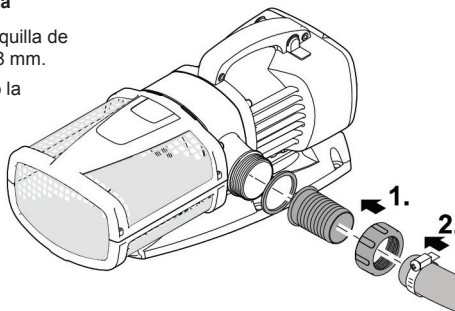
- Nunca opere el equipo en el estanque para nadar.
- Opere el equipo sólo por debajo del nivel del agua.
- Opere el equipo sólo con cesta de filtro.
- Garantice una posición segura.
- La posición de la salida de la bomba es variable. Para otra posición se tiene que girar la carcasa de la bomba. (→ Girar la carcasa de la bomba)



Conexión de la manguera para instalación sumergida

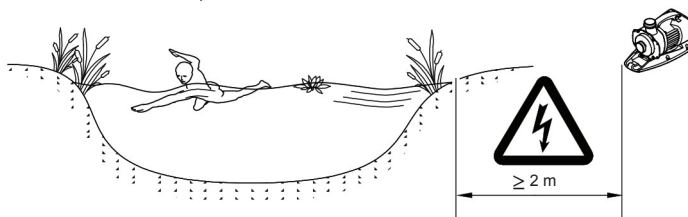
- AquaMax Eco Expert 6800: Emplee en la salida la boquilla de manguera de 50 mm o la boquilla de manguera de 38 mm.
- AquaMax Eco Expert 11500: Emplee en la salida sólo la boquilla de manguera de 50 mm

1. Enrosque la boquilla portatubo escalonada con la tuerca racor y la junta en la salida
2. Desplace la abrazadera de manguera sobre la manguera, coloque la manguera en la boquilla de manguera y asegúrela con la abrazadera de manguera.



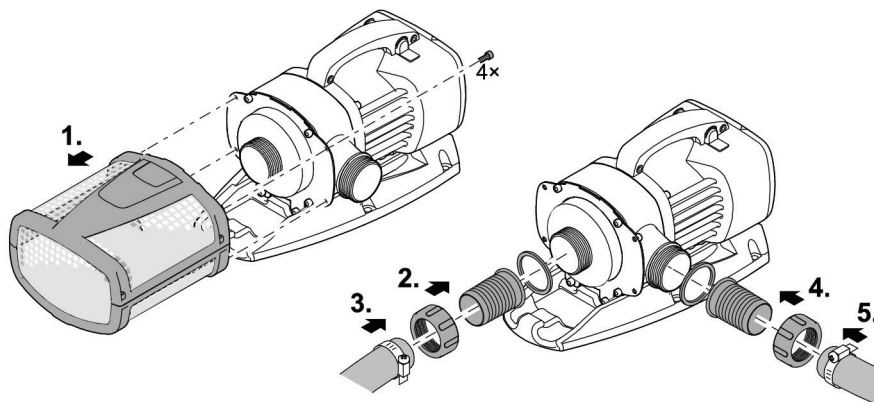
Emplazamiento del equipo en seco

- AquaMax Eco Expert 6800: En la entrada y la salida se pueden conectar mangueras o tubos. Recomendación:
 - Hasta una longitud de 5 m: Emplee boquillas de manguera y mangueras de 50 mm (2"). (→ Conexión de la manguera)
 - A partir de una longitud de 5 m: Emplee tubos DN 75 o DN 100. (→ Conexión del tubo)
- AquaMax Eco Expert 11500: En la entrada se conecta un tubo. En la salida se puede conectar una manguera un tubo. Recomendación:
 - Hasta una longitud de 5 m: Emplee boquillas de manguera y mangueras de 50 mm (2"). (→ Conexión de la manguera)
 - A partir de una longitud de 5 m: Emplee tubos DN 75 o DN 100. (→ Conexión del tubo)
- Estanque de baño o piscinas donde puedan haber personas:
 - Emplace el equipo a una distancia mínima de 2 m del agua.
- No exponga el equipo a la radiación solar directa.
- Garantice una posición segura.
- La posición de la salida de la bomba es variable. Para otra posición se tiene que girar la carcasa de la bomba. (→ Girar la carcasa de la bomba)
- Considere la temperatura ambiente máxima permisible. Garantice el enfriamiento forzado si fuera necesario. (→ Da-tos técnicos)

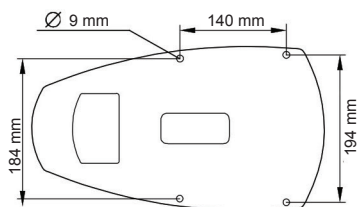


Conexión de la manguera para instalación seco

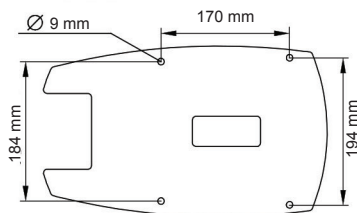
1. Quite los tornillos para fijar la cesta de filtro y desmonte la cesta de filtro.
2. Enrosque la boquilla de manguera con la tuerca racor y la junta en la entrada.
3. Desplace la abrazadera de manguera sobre la manguera, coloque la manguera en la boquilla de manguera y asegúrela con la abrazadera de manguera.
4. Enrosque la boquilla de manguera con la tuerca racor y la junta en la salida.
5. Desplace la abrazadera de manguera sobre la manguera, coloque la manguera en la boquilla de manguera y asegúrela con la abrazadera de manguera.
6. Fije el equipo con tornillos (no incluidos en el suministro) sobre una base apropiada.



6. AquaMax Eco Expert 6800



AquaMax Eco Expert 11500



Conexión del tubo para instalación seco

AquaMax Eco Expert 6800/11500: Para la conexión de cada tubo es necesario un manguito de transición de PVC. Los manguitos de transición de PVC se pueden comprar en el comercio especializado.

1. Enrosque el manguito de transición de PVC y la junta en la salida
2. Pegue el tubo con el manguito de transición de PVC.

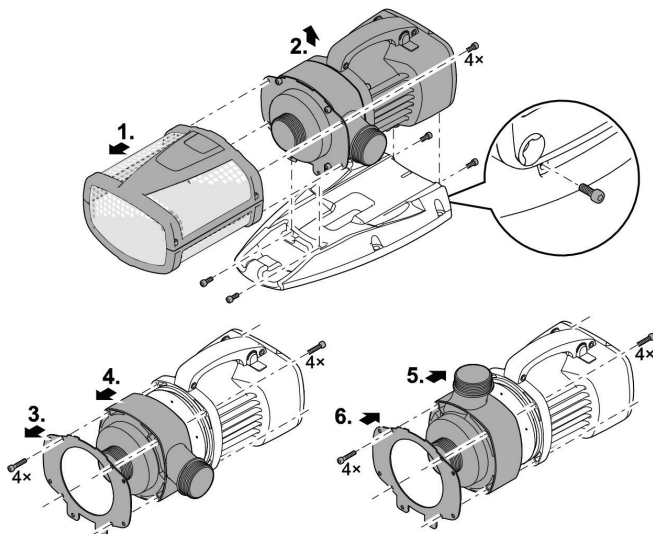
¿Preguntas, problemas, partes faltantes?

Antes de regresar con su vendedor, llame al 1-866-627-3435 de 8 am a 6 pm, hora del este, de lunes a viernes, o envíenos un correo electrónico a customercare@oase-livingwater.com. O visite nuestra página web www.oase-livingwater.com

Emplazamiento y conexión

Girar la cargasa de la bomba

1. Quite los tornillos para fijar la cesta de filtro y desmonte la cesta de filtro.
2. Quite los cuatro tornillos para fijar el pie del equipo y desmonte el pie del equipo.
3. Quite los cuatro tornillos para fijar la placa de soporte y desmonte la placa de soporte.
4. Quite los cuatro tornillos y desmonte la carcasa de la bomba.
5. Gire la carcasa de la bomba, colóquela sobre el motor y fíjela con los cuatro tornillos.
6. Coloque la placa de soporte en la carcasa de la bomba y fíjela con los cuatro tornillos.
7. Monte el pie del equipo y la cesta de filtro en secuencia contraria.

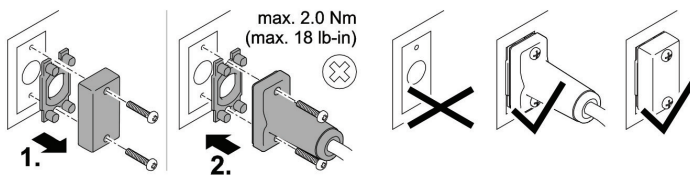


Conectando al to Eco Control

Para el control se puede conectar de forma opcional el Eco Control en la bomba.

- El aparato de control Eco Control está a disposición como accesorio para las bombas Eco Expert.
- La conexión de Eco Control no es posible si la bomba está conectada en una red EGC.

1. Quite la tapa de protección en EGC-IN.
2. Enchufe el conector de la tubería y asegúrelo con los dos tornillos (máx. 2.0 Nm).
 - La junta de goma tiene que estar limpia y encajar perfectamente.
 - Sustituir la junta de goma dañada.

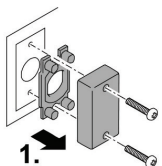


Integración de la bomba en la red EGC

La bomba se puede integrar en una red EGC. En una red EGC, el InScenio EGC y todos los equi-pos con capacidad EGC están conectados mediante Connection Cable EGC. En el último equipo con capacidad EGC se tiene que conectar una resistencia terminal en la EGC-OUT para terminar la red.

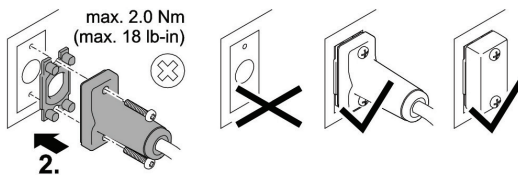
- El cable de conexión EGC está a disposición como accesorio
- Garantice la conexión correcta. (→ Sistema de control Easy Garden (EGC))

1. Quite la tapa de protección en EGC-IN.



2. Enchufe el conector del cable de conexión EGC y asegúrelo con los dos tornillos (máx. 2.0 Nm).

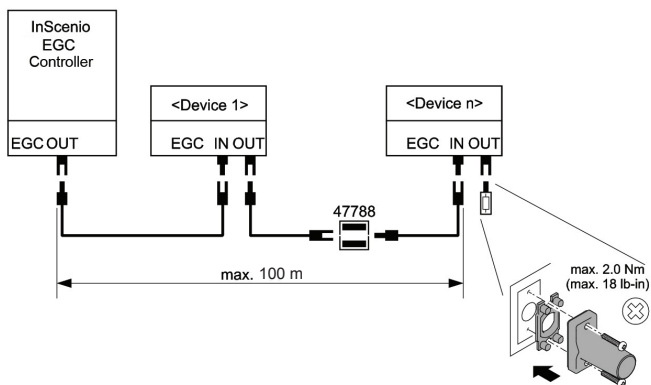
- La junta de goma tiene que estar limpia y encajar perfectamente.
- Sustituir la junta de goma dañada.



3. Quite la tapa de protección en EGC-OUT, enchufe la resistencia terminal y asegúrela con los dos tornillos (máx. 2.0 Nm) o conecte otro equipo con capacidad EGC.

- En el último equipo en la red EGC no está conectado ningún Connection Cable EGC en EGC-OUT. La resistencia terminal tiene que estar enchufada en este EGC-OUT para que la red EGC esté correctamente terminada.
- La resistencia terminal está incluida en el suministro del InScenio EGC.

- i** INDICACIÓN
El equipo se daña si entra agua en las tomas EGC.
- Cierre las tomas EGC con una clavija EGC o tapa protectora.



Puesta en marcha

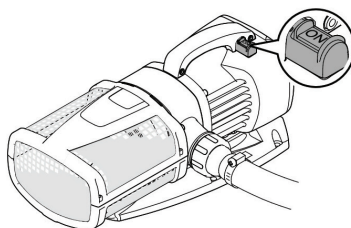
- i** INDICACIÓN
Componentes eléctricos sensibles. Una conexión errónea destruye el equipo.
- No conecte el equipo a una alimentación de corriente con regulación de voltaje.

La bomba realiza automáticamente a la puesta en funcionamiento una autoprueba preprogramada de aprox. 2 minutos (**Enviro**nmental Function Control (EFC)). La bomba reconoce si marcha en seco, si está bloqueada o si está sumergida. En el caso de una marcha en seco o bloqueo la bomba se desconecta automáticamente después de aprox. 90 segundos. En caso de fallo se tiene que interrumpir la alimentación de corriente e “inundar la bomba” o eliminar el obstáculo. Después se puede arrancar de nuevo el equipo.

- **Conexión:** Conecte el equipo con la red. El equipo se conecta de inmediato.
- **Desconexión:** Separe el equipo de la red.

Seasonal Flow Control (SFC)

1. Presione y desplace el conmutador.
- En el conmutador se indica ON: La función está conectada.
 - En el conmutador no se indica ON: La función está desconectada.



¿Preguntas, problemas, partes faltantes?

Antes de regresar con su vendedor, llame al 1-866-627-3435 de 8 am a 6 pm, hora del este, de lunes a viernes, o envíenos un correo electrónico a customercare@oase-livingwater.com. O visite nuestra página web www.oase-livingwater.com

Limpeza y mantenimiento

ADVERTENCIA! ¡Voltaje eléctrico peligroso!

Posibles consecuencias: La muerte o lesiones graves

Medidas de protección:

- Desconecte la tensión de alimentación de todos los equipos que se encuentran en el agua antes de tocar el agua.
- Antes de realizar trabajos en el equipo desconecte la tensión de alimentación.

Limpeza del equipo

INDICACIÓN

Recomendación para la limpieza:

- Limpie el equipo según necesidad, pero como mínimo 2 veces al año.
- Limpie especialmente la unidad de rodadura y la carcasa de la bomba.

• No emplee productos de limpieza o soluciones químicas agresivas, porque se puede dañar la caja o mermar el funcionamiento del equipo.

• Productos de limpieza recomendados en caso de calcificaciones persistentes:

- Producto de limpieza para bombas.
- Productos de limpieza domésticos sin vinagre y cloro

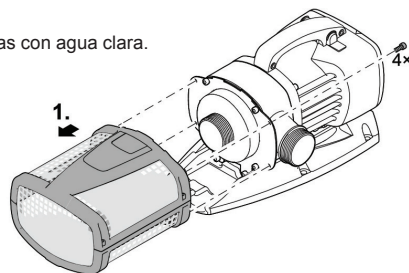
• Después de la limpieza enjuague minuciosamente todas las piezas con agua clara.

1. Quite los tornillos para fijar la cesta de filtro y desmonte la cesta de filtro.

2. Limpie todas las piezas

- Emplee un cepillo suave para apoyar la limpieza
- Enjuague todas las piezas con agua clara.

3. Monte el equipo en secuencia contraria.



Sustitución de la unidad de rodadura

INDICACIÓN

La unidad de rodadura se guía en el bloque del motor por un cojinete. Este cojinete es una pieza de desgaste y se debe sustituir simultáneamente con la unidad de rodadura.

• La sustitución del cojinete requiere conocimientos especiales y herramientas. Encargue la sustitución del cojinete al comerciante de OASE o envíe la bomba a OASE.

INDICACIÓN

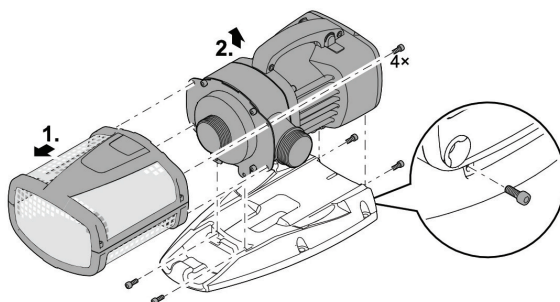
La unidad de rodadura incluye un imán fuerte que atrae las partículas magnéticas (p. ej. virutas de hierro).

• Elimine completamente las partículas adheridas en la unidad de rodadura al montaje. Las partículas que se quedan adheridas pueden producir daños irreparables en la unidad de rodadura y el bloque del motor

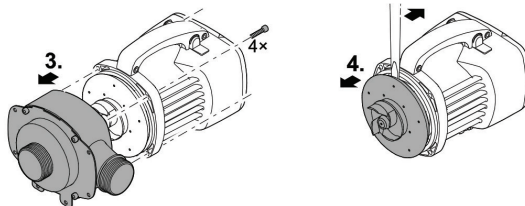
• Los tubos/ las mangueras en la entrada y la salida están desmontados.

1. Quite los tornillos para fijar la cesta de filtro y desmonte la cesta de filtro.

2. Quite los cuatro tornillos para fijar el pie del equipo y desmonte el pie del equipo



3. Quite los cuatro tornillos y desmonte la carcasa de la bomba
4. Saque la unidad de rodadura y sustitúyala en caso dado.
 - En caso dado, saque cuidadosamente la unidad de rodadura con un destornillador con hoja ancha.
5. Monte el equipo en secuencia contraria.



Almacenamiento / Conservación durante el invierno

El equipo está protegido contra heladas hasta 20 °C por debajo de cero. Si el equipo se guarda fuera del estanque límpielo minuciosamente con un cepillo suave y agua, compruebe si presenta posibles daños y almacénelo bajo agua a plena carga de agua. No sumerja la clavija de red en el agua.

Piezas de desgaste

- Unidad de rodadura
- Cojinete en el bloque del motor

Reparación

En los siguientes casos no es posible una reparación. El equipo se tiene que sustituir.

- Para un componente defectuoso no hay ninguna pieza de recambio con la autorización de OASE.
- Una línea eléctrica que está conectada de forma fija con el equipo está dañada o acortada.

Desecho



¡No deseche esta unidad en conjunto con la basura doméstica! Primero deshabilite la unidad al cortar los cables. Puede obtener información adicional sobre el reciclaje de este producto de su autoridad municipal local.

Piezas de recambio

El equipo se mantiene seguro y trabaja de forma fiable con las piezas originales de OASE.

Consulte los dibujos de piezas de recambio y las piezas de recambio en nuestra página web. www.oase-livingwater.com

¿Preguntas, problemas, partes faltantes?

Antes de regresar con su vendedor, llame al 1-866-627-3435 de 8 am a 6 pm, hora del este, de lunes a viernes, o envíenos un correo electrónico a customercare@oase-livingwater.com. O visite nuestra página web www.oase-livingwater.com

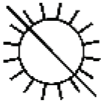


Eliminación de fallos

Fallo	Causa	Acción correctora
La bomba no arranca	No hay tensión de alimentación	<ul style="list-style-type: none"> - Comprobar la tensión de alimentación - Controlar las líneas de alimentación
La bomba no transporta	La carcasa del filtro está obstruida	Limpiar
	Agua muy sucia	Limpiar la bomba. Después del enfriamiento del motor la bomba se conecta automáticamente.
	La unidad de rodadura está bloqueada	Sacar la clavija de la red y eliminar el obstáculo. Después conectar de nuevo la bomba.
Caudal insuficiente	La carcasa del filtro está obstruida	Limpiar
	Pérdidas excesivas en las líneas de alimentación	<ul style="list-style-type: none"> - Seleccionar una manguera con un diámetro mayor - Reducir la longitud de la manguera al mínimo necesario - Evitar piezas de unión innecesarias
La bomba se desconecta después de un corto tiempo de funcionamiento	Agua muy sucia	Limpiar la bomba. Después del enfriamiento del motor la bomba se conecta automáticamente.
	Temperatura del agua muy alta	Mantener la temperatura máxima del agua de 35 °C. Después del enfriamiento del motor la bomba se conecta automáticamente.
	La unidad de rodadura está bloqueada	Sacar la clavija de la red y eliminar el obstáculo. Después conectar de nuevo la bomba.
	La bomba marchó en seco	Inundar la bomba. Sumergir completamente el equipo cuando se opera en el estanque.

AquaMax Eco Expert											
Model	Model No.	Mains voltage	Power consumption	Input	output	Cable length	Flow rate	Head height	Weight	Dimensions	Immersion depth
modèle	Numéro de modèle	Tension nominale	Consommation électrique	arrivée	sortie	Longitud del cable	Capacité de refoulement	Colonne d'eau	Peso	Dimension	Profondeur d'immersion
modelo	No. de modelo	Tensión nominal	Consumo eléctrico	Entrada	Salida	Longueur de câble	Capacidad de elevación	Columna de agua	Poids	Dimensiones	Profundidad de inmersión
6800	57875	220 ... 240 V AC, 50/60 Hz	440 W	ø 2" (50 mm)	ø 2" (60 mm)	33 ft. 10 m	56800 GPH 526000 LPH	28 ft. 8.5 m	26 lbs 12 kg	19 x 8.5 x 8 in 490 x 215 x 210 mm	≤13 ft. 54 m
11500	57963		700 W	ø 2 1/2" (63 mm)	ø 2" (60 mm)		511500 GPH 544000 LPH	31 ft. 9.5 m	36 lbs 16.5 kg	24 x 9.8 x 8.7 in 540 x 250 x 220 mm	

AquaMax Eco Expert			
Model	Model No.	Submerged installation: Permissible water temperature range	Dry installation: Max. permissible ambient temperature with natural convection
modèle	Numéro de modèle	Installation en immersion : plage de température d'eau admissible	Installation à sec : température ambiante maximale admissible lors d'une convection naturelle
modelo	No. de modelo	Emplazamiento bajo agua: Gama de temperatura permisible del agua	Emplazamiento en seco: Temperatura ambiente máxima permisible en caso de convección natural
6800	57875	39 ... 95 °F +4 ... +35 °C	+104 °F +30 °C
11500	57963		

EN		Recommended water quality	pH value	Hardness	Free chlorine	Chloride content	Salt content	Overall dry residue	Temperature
FR	Valeurs d'eau recommandées	Valeur pH	Dureté	Chlore libre	Teneur en chlore	Teneur en sel	Résidu sec total	Résidu sec total	Température
ES	Valores recomendados del agua	Valor pH	Dureza	Cloro libre	Contenido de cloruro	Contenido de sal	Residuo seco total	Residuo seco total	Temperatura
Freshwater		6.8 ... 8.5	8 DH ... 15 DH	<0.3 mg/l	<250 mg/l	<0.4 %	<50 mg/l	<50 mg/l	39 ... 95 °F 4 °C ... 35 °C
Poolwater		7.2 ... 8.3	8 DH ... 15 DH	<0.6 mg/l	<250 mg/l	<0.4 %	<50 mg/l	<50 mg/l	39 ... 86 °F 4 °C ... 30 °C
Saltwater		7.2 ... 8.5	20 DH ... 30 DH	<0.3 mg/l	<22000 mg/l	<4.0 %	<50 mg/l	<50 mg/l	39 ... 82 °F 4 °C ... 28 °C

			
EN	Protect from direct sun radiation.	Do not dispose of together with household waste!	Attention! Read the operating instructions
FR	Protéger contre les rayons directs du soleil.	Ne pas recycler dans les ordures ménagères !	Attention ! Lire la notice d'emploi
ES	Protéjase contra la radiación directa del sol.	¡No deseche el equipo en la basura doméstica!	¡Atención! Lea las instrucciones de uso

